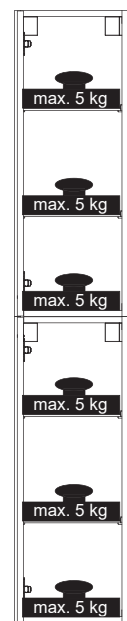
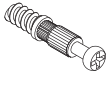
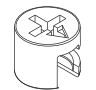
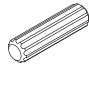
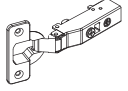
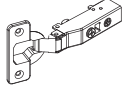

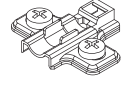





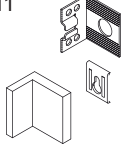

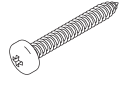

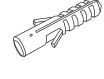
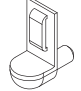


- 1** 2XSE872137 Anthrazit
- 2** 2XQU872139 Silber
- 3** 3XFT831617 Anthrazit
- 4** 2XRW842529 Silber/Weiß
- 5** 4GEL729801 Glas
- 6** 4BB8090003 Anthrazit

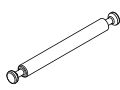


Alle Abbildungen Türanschlag links.  
 All illustrations door hinge left.  
 Türanschlag links oder rechts möglich.  
 Door hinges left or right possible.

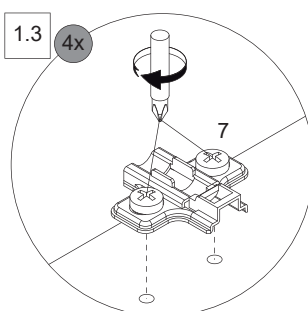
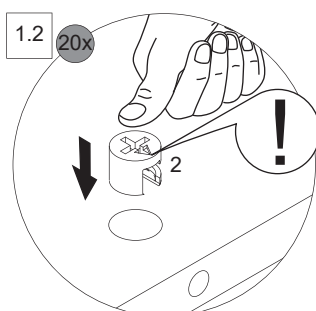
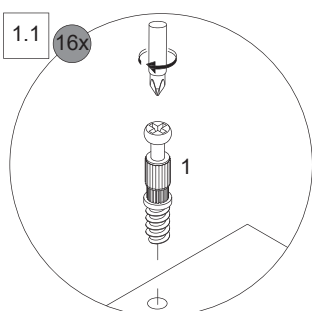
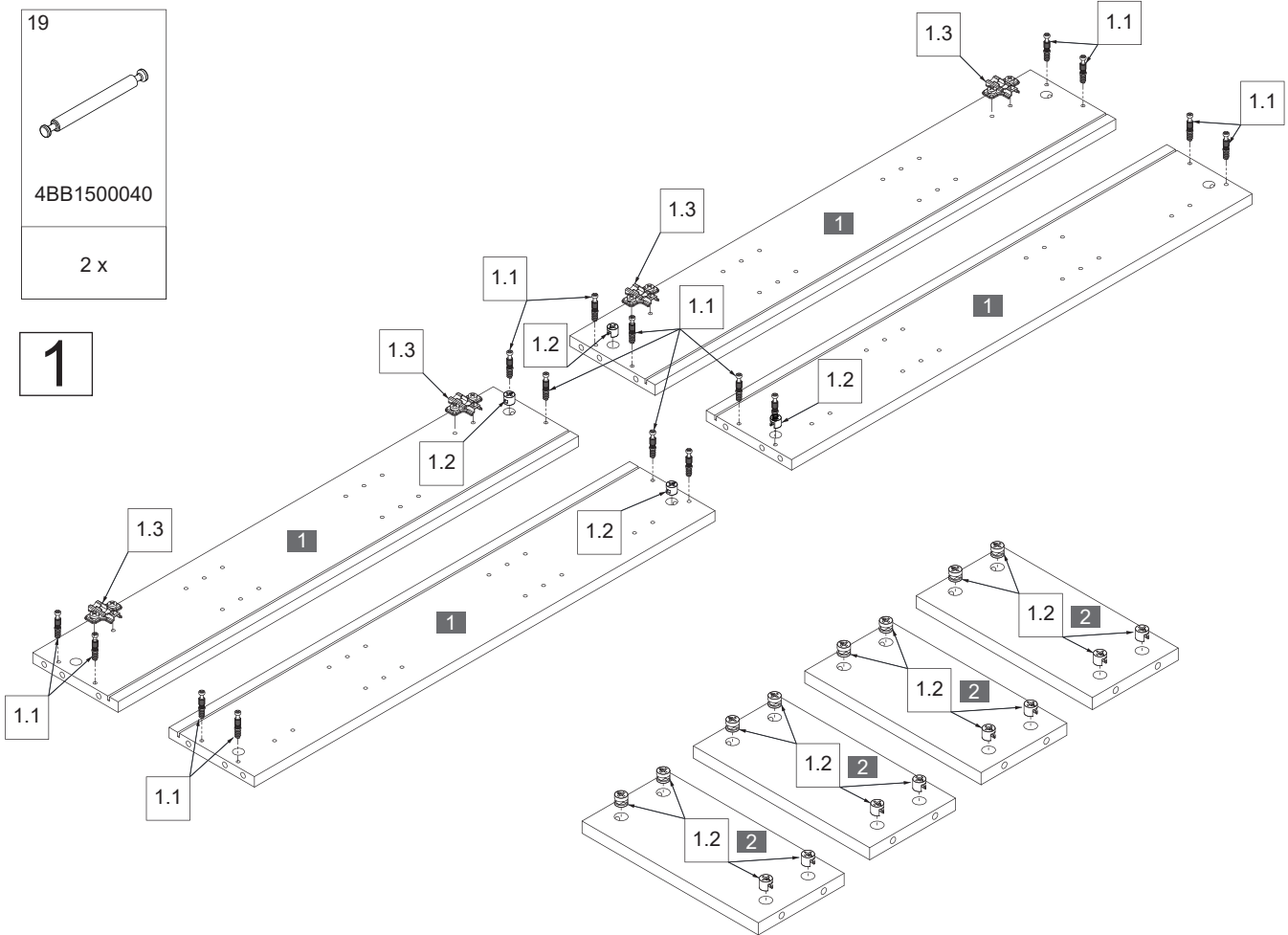
Fackelmann GmbH + Co. KG  
 Sebastian-Fackelmann-Str. 6  
 91217 Hersbruck • Deutschland  
 FAX: 09151/811-294  
 Servicetelefon: 09151/811-206  
 servicebm@fackelmann.de  
 www.fackelmann.com

|   |   |   |   |  |   |   |   |   |
|---|---|---|---|--|---|---|---|---|
| 1   | 2   | 3   | 4   | 5  | 6   | 7   | 8   | 9   |
|  |  |  |  | Softclose<br> |  |  |  |  |
| 4BB1500001  | 4BB1515000  | Ø8x30mm<br>4BD008X300   | 4BB3511002  | 4BB3511003   | Ø3,5x13mm<br>4SK3.5X130   | 4BB3711013  | 2BB268X1.6  | Ø1,2x20mm<br>4XBN1.2X20   |
| 16 x  | 20 x  | 4 x   | 2 x   | 2 x  | 8 x   | 4 x   | 4 x   | 20 x  |

|   |   |   |   |   |   |   |   |   |
|---|---|---|---|---|---|---|---|---|
| 10  | 11  | 12  | 13  | 14  | 15  | 16  | 17  | 18  |
|  |  |  |  |  |  |  |  |  |
| Ø20mm<br>Anthrazit<br>4BB0020000  | Silber<br>4BB8430001  | Ø4,0x15mm<br>4RK4.0X150   | Ø5,0x60mm<br>4RK5.0X601   | 2BB8430003  | Ø8mm<br>4BD8000000  | 4SL2872810  | Ø3,0x12mm<br>4SK3.0X120   | Ø10mm<br>Weiß<br>4BB0010001   |
| 8 x   | 4 x   | 8 x   | 4 x   | 4 x   | 4 x   | 16 x  | 4 x   | 8 x   |

|   |
|---|
| 19  |
|  |
| 4BB1500040  |
| 2 x   |

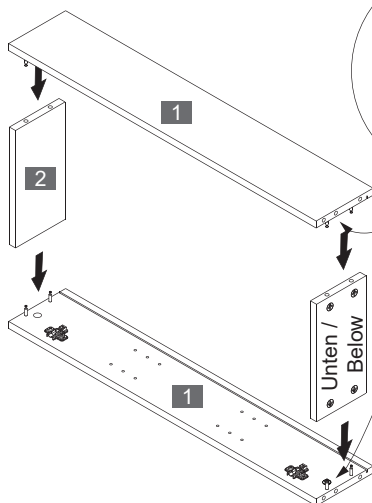
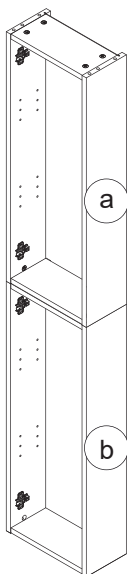
1



2

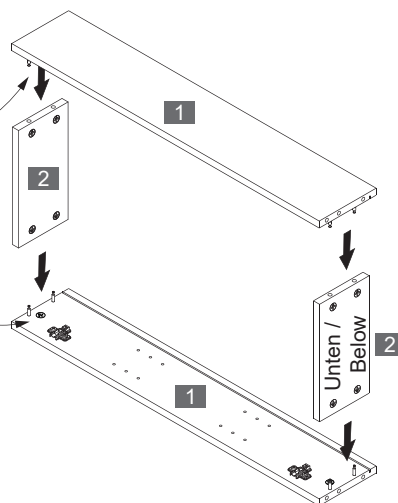
2.1

a



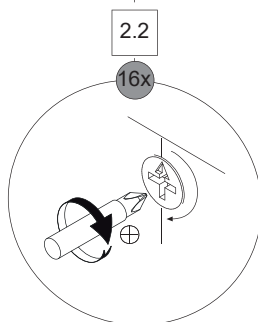
2.1

b



2.2

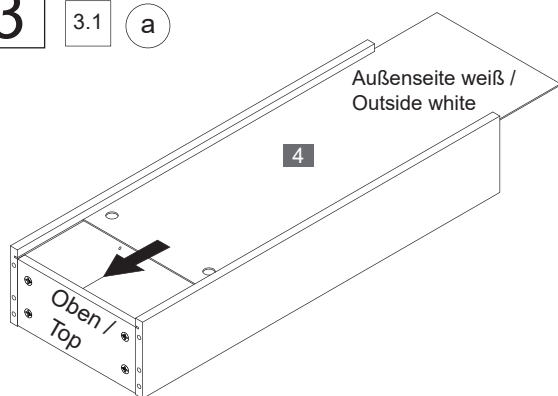
16x



3

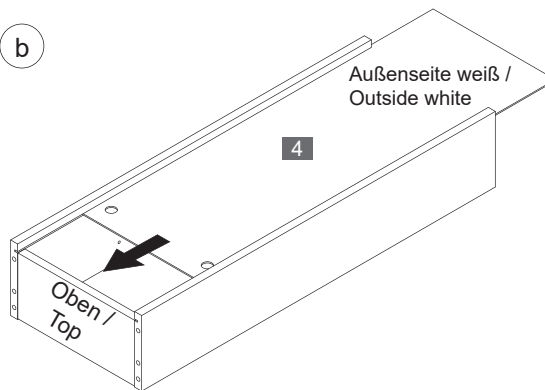
3.1

a



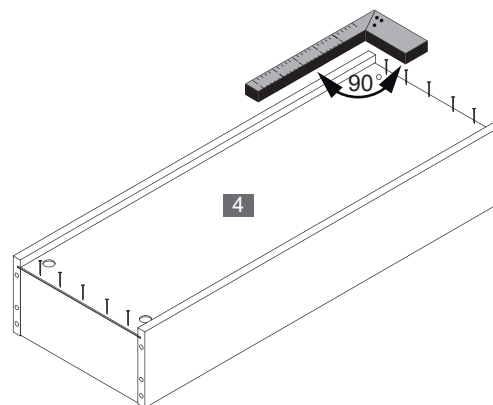
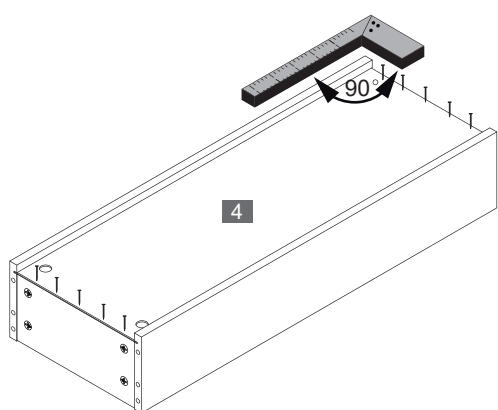
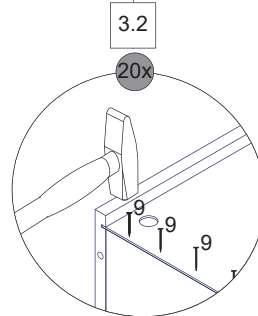
3.1

b

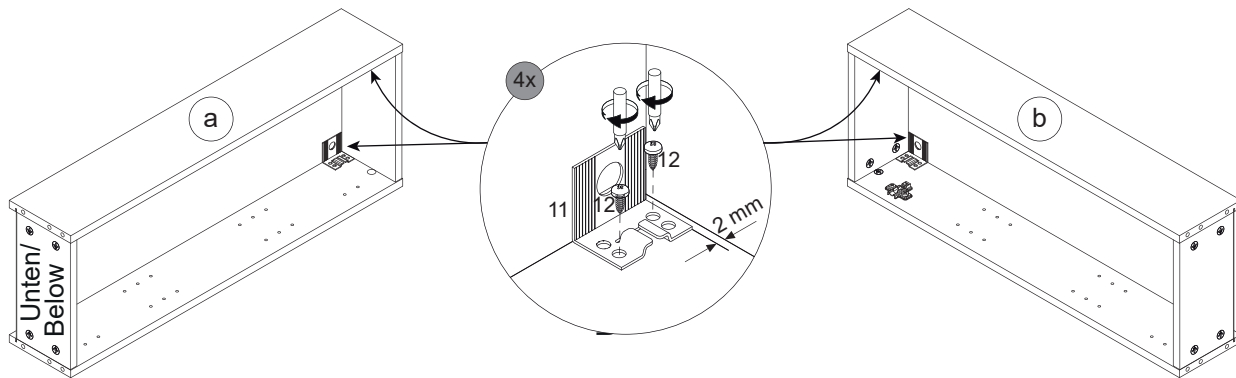


3.2

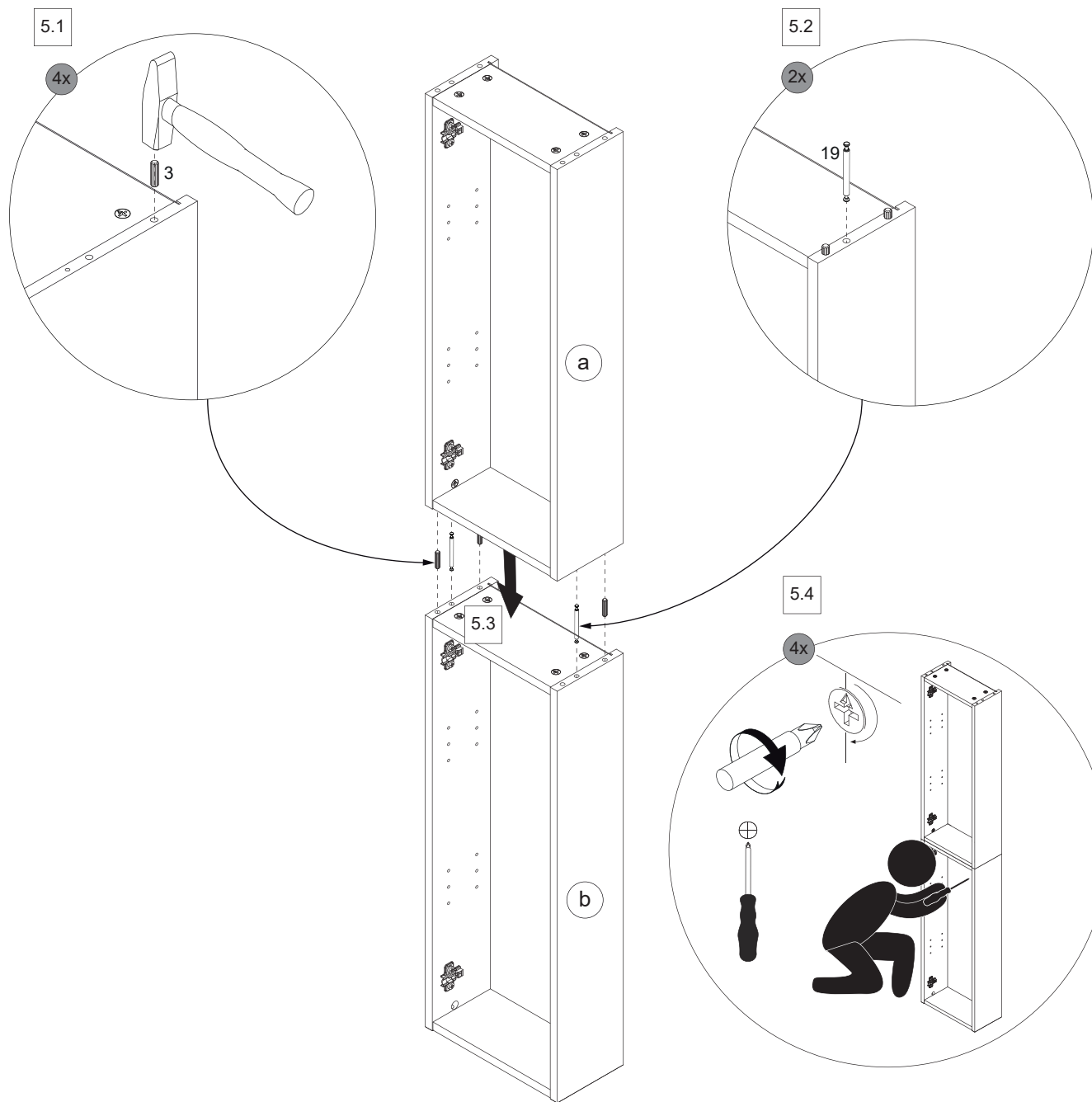
20x

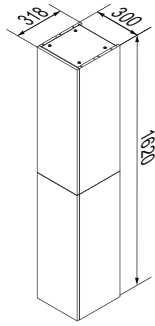


4



5

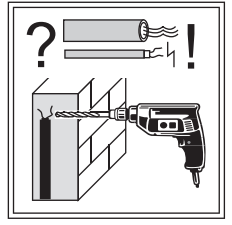
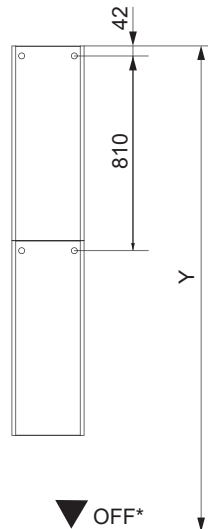
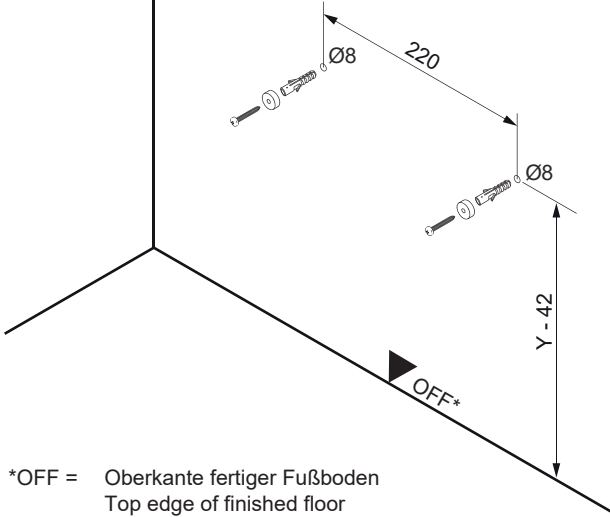




**!** Alle Maße sind in Millimetern angegeben, unverbindlich, vor Ort zu prüfen und stellen nur eine Empfehlung dar. Änderungen vorbehalten.  
 All dimensions are given in millimeters, without obligation, to be checked on site and represent only a recommendation. Subject to change.

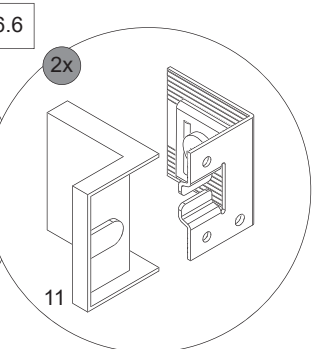
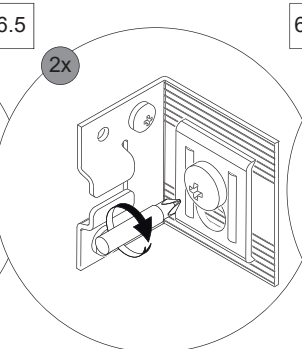
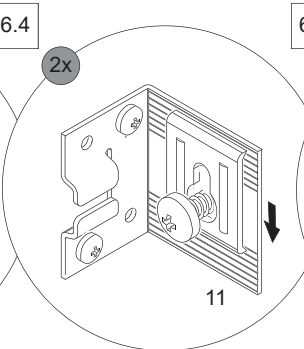
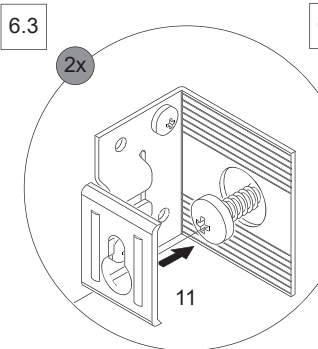
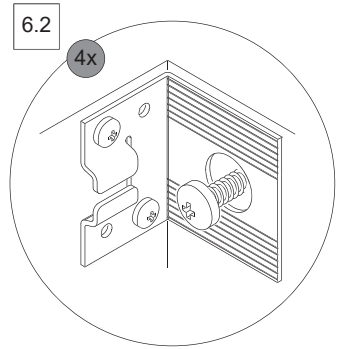
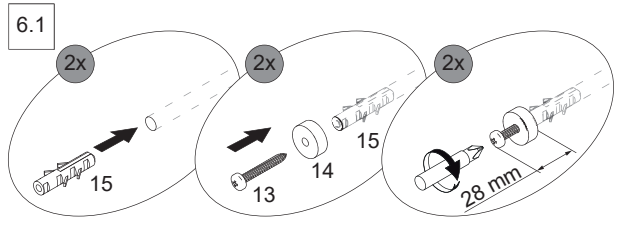
**6**

|    |                      |    |                         |    |            |    |                    |
|----|----------------------|----|-------------------------|----|------------|----|--------------------|
| 11 |                      | 13 |                         | 14 |            | 15 |                    |
|    | Silber<br>4BB8430001 |    | Ø5,0x60mm<br>4RK5.0X601 |    | 4BB8430003 |    | Ø8mm<br>4BD8000000 |
|    | 4 x                  |    | 4 x                     |    | 4 x        |    | 4 x                |

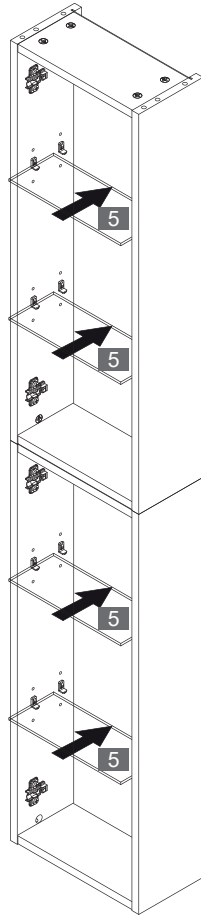
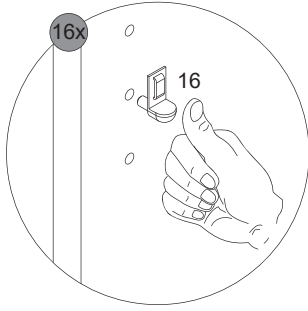


\*OFF = Oberkante fertiger Fußboden  
 Top edge of finished floor

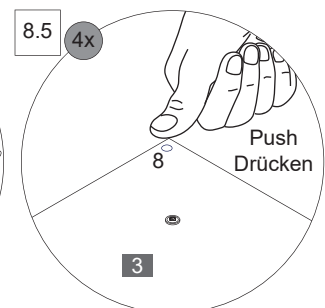
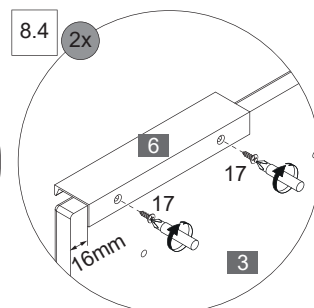
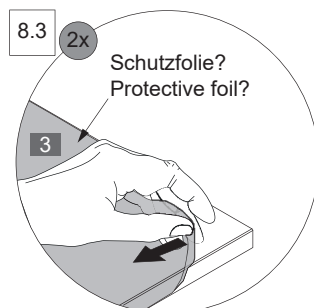
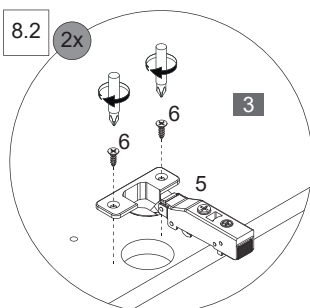
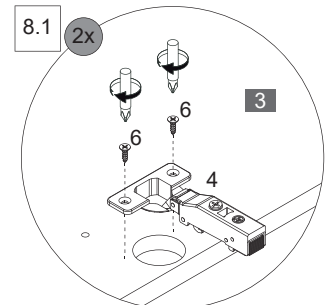
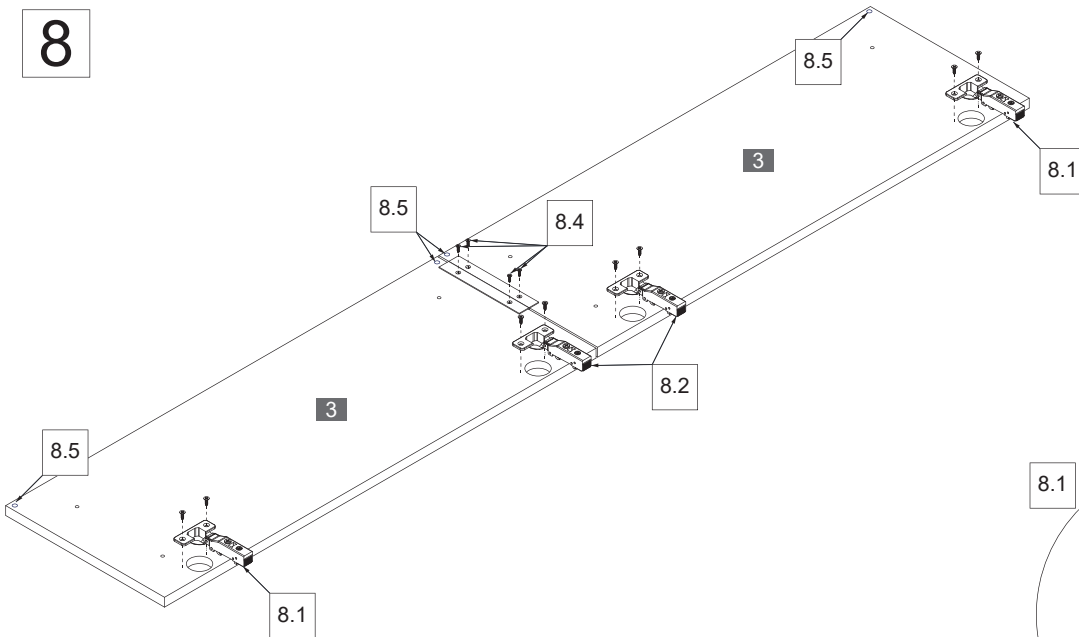
Ansicht von hinten  
 View from the back



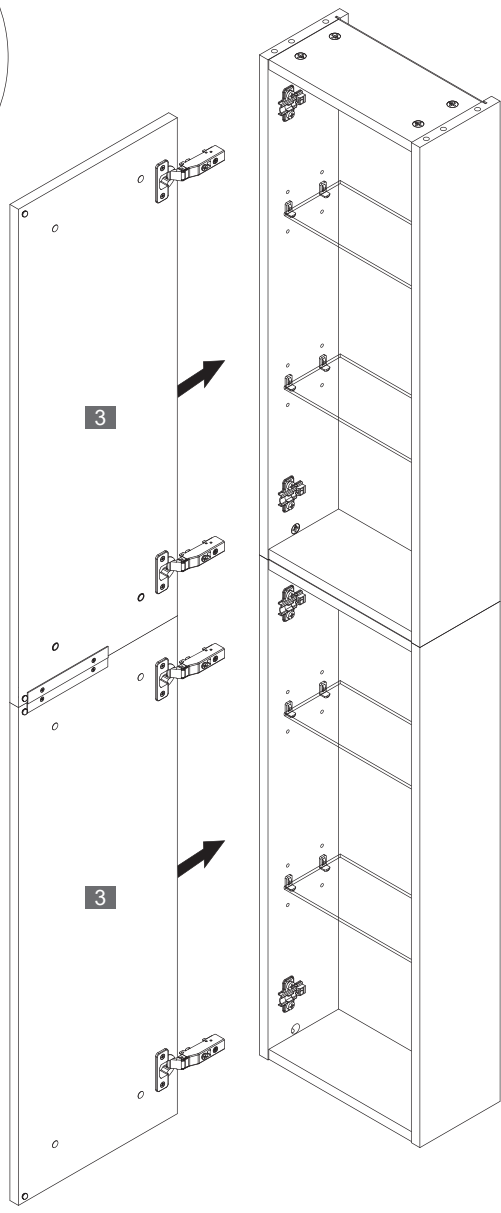
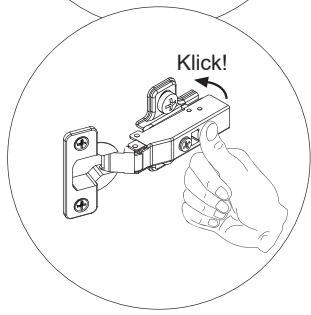
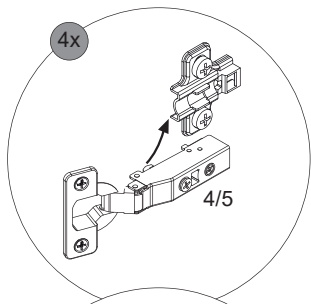
7



8

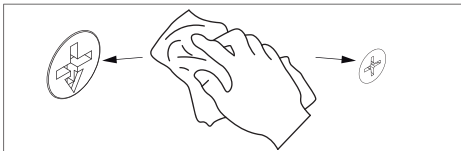


9



10

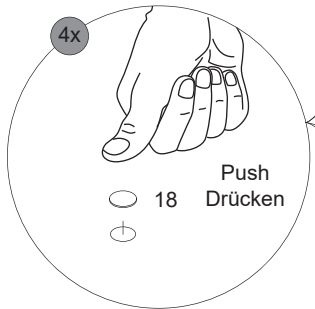
10.1



Oberfläche sauber, trocken, staub- und fettfrei!  
Surface clean, dry, free of dust and grease!

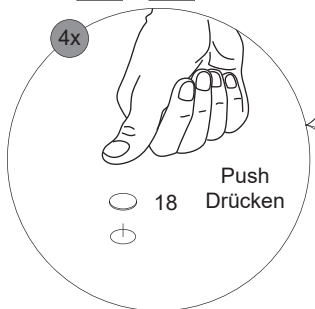
10.1 + 10.2

4x



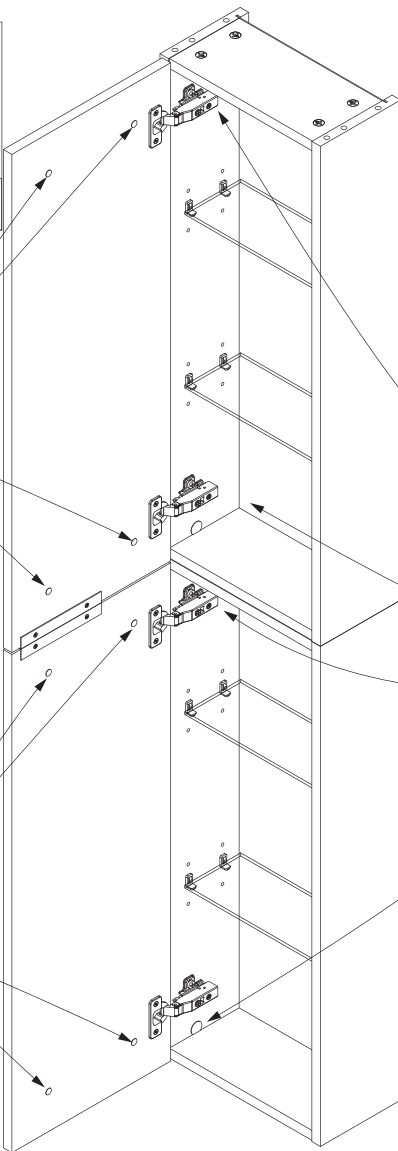
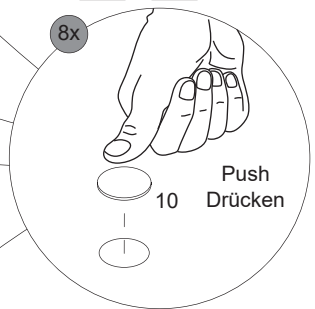
10.1 + 10.2

4x

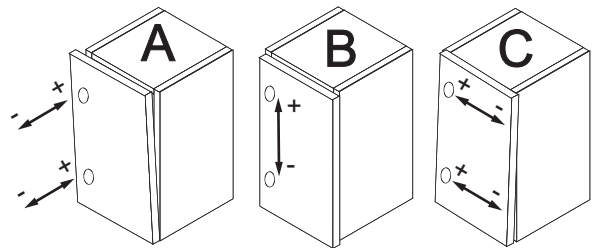
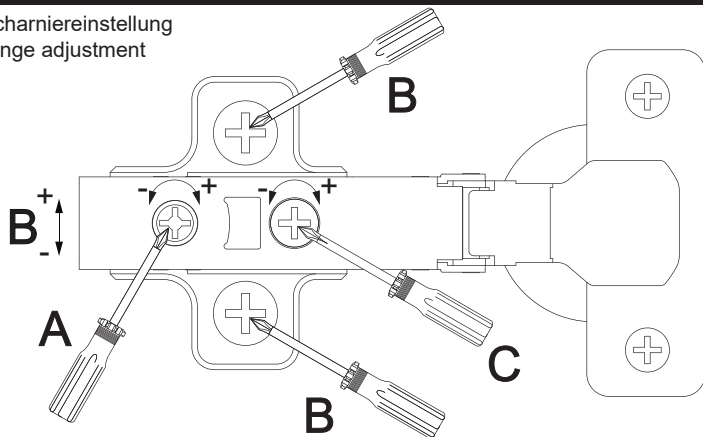


10.1 + 10.3

8x



Scharniereinstellung  
Hinge adjustment



Lösen der Scharniere  
Release of the hinges

